

High Performance Economical Mercury Relays — 30 Amp Resistive Loads

The 30 Amp model is designed to save space and simplify mounting methods. It is also extremely economical due to the use of a single coil for 1-, 2- or 3-pole relays. The universal mounting bracket used on the 2- and 3-pole relays has various mounting holes and keyhole slots to meet a variety of mounting centers.

The 30 Amp Series is a more compact line with a well-proven switch, which is the heart of mercury relays. It is the same switch design that drives our 35 and 60 Amp encapsulated **Mercury Displacement Relays**, which have withstood the test of time and millions of cycles in many different applications.

Standard (Non-Stock) and Stock High Performance Mercury Displacement Relay Specifications

Stock Items Are Shown In **RED**

Type	30 AMP RELAYS			Cross Reference MDI	TEMPCO Part Number
	Coil Volts	Coil Current	Coil Resist. (ohms)		
1 Pole N.O.	24 VDC	113 mA	213	30NO-24DU	RLY11305
	24 VAC	216 mA	55	30NO-24AU	RLY11303
	120 VAC	65 mA	725	30NO-120AU	RLY11301
	220 VAC	28 mA	3380	30NO-220AU	RLY11302
2 Poles N.O.	24 VDC	260 mA	92	230NO-24DU	RLY12305
	24 VAC	580 mA	15	230NO-24AU	RLY12303
	120 VAC	115 mA	367	230NO-120AU	RLY12301
	220 VAC	53 mA	1550	230NO-220AU	RLY12302
3 Poles N.O.	24 VDC	217 mA	110	330NO-24DU	RLY13305
	24 VAC	815 mA	7.6	330NO-24AU	RLY13303
	120 VAC	140 mA	215	330NO-120AU	RLY13301
	220 VAC	66 mA	766	330NO-220AU	RLY13302

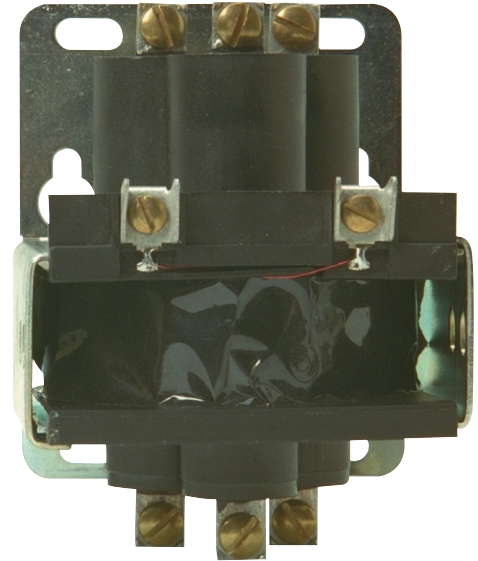


Note: The 220 VAC coil is used from 208 to 240 VAC.

Ordering Information

Choose the **Part Number** of the relay from the table above that matches the needs for your application.

Standard lead time is stock to 5 days.



Specifications

Pull In Voltage: 90% of nominal (Min. AC)

Operate (pull in) Time: 50 mSec

Release Time: 80 mSec

Operating Ambient

Temperature Range: -35 to 85°C
(-31 to 185°F)

Typical Contact Resistance: 3 mΩ

Contact Rating: 30 Amps

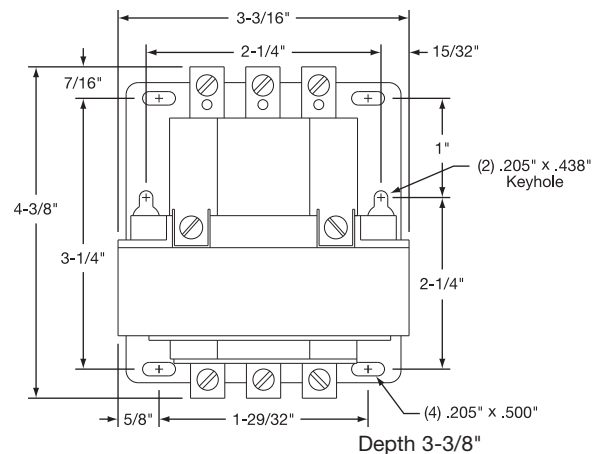
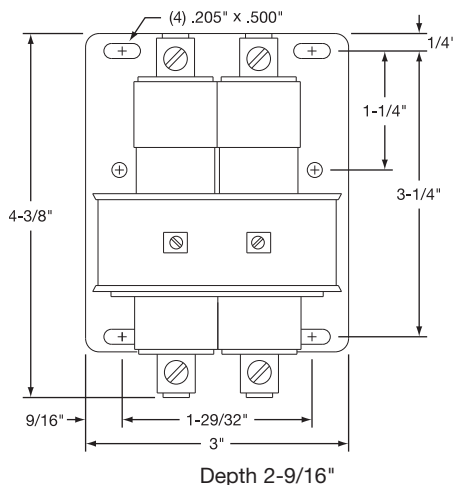
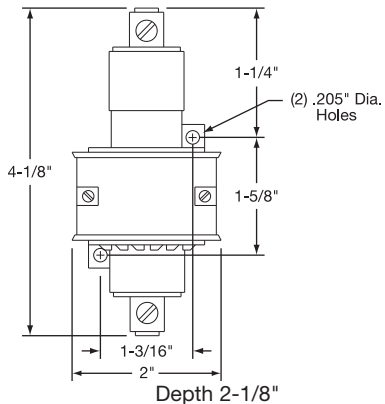
Dielectric Breakdown: 2500 VAC RMS

Mount: Vertical ±10°

Coil terminals: #6 binding head screws

Load terminals: #8 binding head screws

Agency Approvals: UL, CSA



WARNING: Cancer and Reproductive Harm - www.P65Warnings.ca.gov.