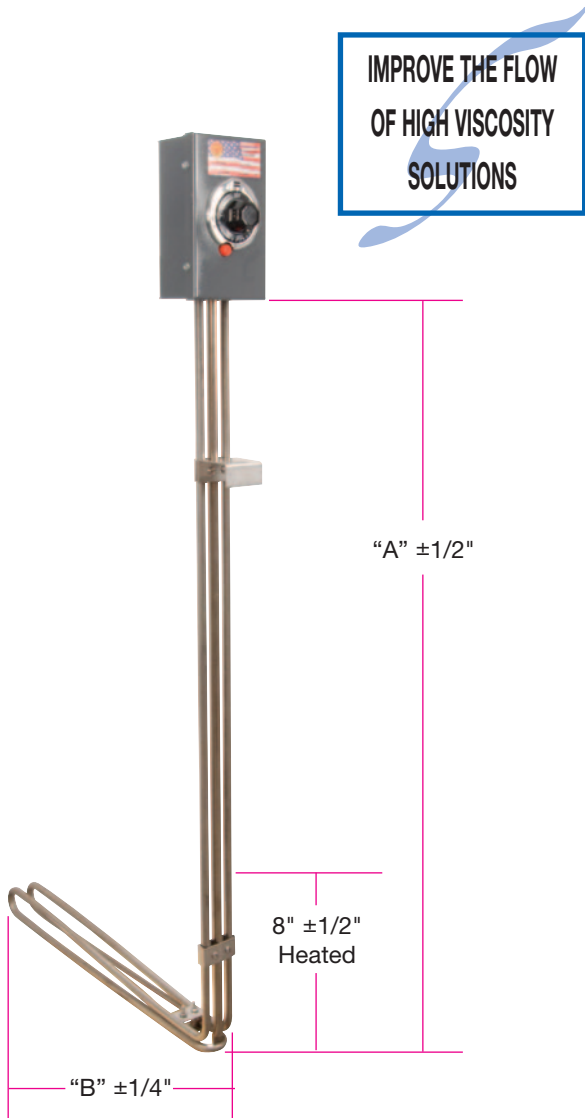


Drum Immersion Heaters



Design Features

- * Fits through the standard 2" bung opening in 55 gallon drums
- * Ideal for improving the flow of lard, tar, oils and other high viscosity solutions
- * Double Pole 60-250°F thermostat with over-temperature cutout and pilot lamp to indicate heater on/off status
- * Only 8" of vertical riser is heated, allowing liquid level to fluctuate without damaging the heater
- * Adjustable stainless steel mounting bracket

Optional Features

- * Passivation, electropolished, or bright annealed surface treatments available for Stainless Steel or Incoloy sheath designs.
- * NEMA 4 (moisture resistant) and/or NEMA 7 (explosion resistant) terminal enclosures
- * External Power wiring options include flexible cord/plug, armored cable, wire braided or plain lead wire.
- * Process or Hi-Limit thermocouple in thermowell in place of the thermostat

Installation, Operation & Maintenance Instructions

1. Ensure the vertical heated portion, which extends 8" up riser from bottom of element, is always fully immersed.
2. Use in metal drums, containers or heat resistant tanks only.
3. All wiring should be in accordance with NEC/NFPA and local codes.
4. Use techniques safe for the heater and surrounding environment.
5. Use mounting brackets to position heater away from tank wall and above sludge buildup at bottom of tank.
6. Periodically remove the heater to clean residues and inspect for damage.

Standard (Non-Stock) and Stock Sizes

Stock Items Are Shown In **RED**

Sheath	Watt Density w/in ²	Watt Density w/cm ²	Watts	Volts	"A" Dim. in	"B" Dim. in	Part Number
Copper	8	1.2	1000	120	36	19	TAT30003
	32	5.0	4000	240	36	19	TAT30004
Stainless Steel	8	1.2	1000	120	36	19	TAT30002
	32	5.0	4000	240	36	19	TAT30001
Steel	8	1.2	1000	120	36	19	TAT30005
	32	5.0	4000	240	36	19	TAT30006



Hazard of electric shock. Heater installation must be grounded. Heater must be disconnected from power input before servicing or removal.



Note: This style heater can be manufactured with "A" and "B" dimensions suitable for other applications. Consult Tempco with your requirements.

Ordering Information

Catalog Heaters

Order by Part Number for catalog heaters listed.

Custom Engineered/Manufactured Heaters

An electric heater can be very application specific; for ratings not listed, **TEMPCO** will design and manufacture an Immersion Heater to meet your requirements. **Standard lead time is 3 weeks.**

Please Specify the following:

- | | |
|--|---|
| <input type="checkbox"/> Application | <input type="checkbox"/> "A" and "B" Dimensions |
| <input type="checkbox"/> Wattage, Voltage | <input type="checkbox"/> Unheated Section |
| <input type="checkbox"/> Element Sheath Material | <input type="checkbox"/> Optional Features |
| <input type="checkbox"/> Element Watt Density | <input type="checkbox"/> Quantity |

WARNING: Cancer and Reproductive Harm - www.P65Warnings.ca.gov.